



## S.U.M. News

May 2016

### Shreve United Methodist Church

Box 525, Shreve, Ohio 44676

Church Office: 330-567-2051

Parsonage: 330-567-2295

Church Home Page Address:

<http://www.shreveumc.org>

E-mail Address: [shreveum430@centurylink.net](mailto:shreveum430@centurylink.net)

Bill Lawson, Pastor

## Thoughts from the Pastor

“Conference” is a word we use a lot in United Methodism. So much so that it can be quite confusing to the average person what we mean by the different ways we apply the term. For starters, we have all these conferences: General Conference, Jurisdictional Conference, Annual Conference, District Conference, Charge Conference and Church Conference! Then we need to keep in mind the three basic definitions of “conference” we get from Webster: 1) “the act of conferring or consulting together”; 2) “a formal meeting of a number of people for consultation or discussion”; 3) “an association of religious bodies, schools, athletic teams, etc., for some common purpose.” The second and third definitions most apply to us, since all our conferences involve formal meetings, and they are also associations. This combination of definitions is probably most confusing when we bring up the subject of annual conference. You’ll hear pastors and delegates say, “I’m going to Annual Conference, June 13-16, at Lakeside, Ohio.” But our annual conference, called East Ohio Annual Conference, is also a geographical region roughly half the size of the state of Ohio. So it’s both an annual meeting and a region.

How about the other kinds of conference? Every four years the church has one large General Conference attended by delegates from all over the world who are elected at the Annual Conferences. The General Conference is the main lawmaking body of our church. Jurisdictional Conferences also meet every four years, in five regions (we are in the North Central Jurisdiction). The main task of each Jurisdictional Conference is to elect and appoint

bishops. Each Annual Conference is divided into districts, and each district meets annually in District Conference to worship and deal with the business of that particular district (we are in the Canal District of the East Ohio Annual Conference). A church or group of churches led by a pastor is known as a “charge,” and each charge is also required to meet annually with the district superintendent. Charge conferences can be designated by the district superintendent to be “church” conferences, which means every church member has a voice and vote. That’s the way it has been for us in recent years, and I personally think it’s a very good thing. *If you have been carefully reading what I’ve written so far, you are either fascinated or you have developed a headache; but hang on, I’m leading into a prayer request.....*

Our General Conference, which you’ll remember meets every four years, is meeting May 10-20 in Portland, Oregon. Please pray for the 864 delegates who will be coming together from around the globe. Pray that they will be faithful to God’s will and that they will converse, deliberate and vote with godly wisdom. As you can imagine, there will be—as there always is—pressure to change church law to line up with changes in our culture’s norms. But—as always—we are not called to follow the culture; we are called to lead it!

Amen?

Pastor Bill

# COMMUNIZING WITH YOU

## Church Committee Schedule

Missions:	Monday, May 2, 6:30 pm
Trustee Mtg.:	Monday May 9, 7:00 pm
SPR Mtg.:	Tuesday May 10, 7:00 pm
Evangelism Mtg.:	Thursday May 12, 7:00 pm
Finance Committee:	Tuesday May 21, 7:00 pm
Church Council:	Tuesday May 21, 7:30 pm
Worship Mtg.	Tuesday May 24, 7:00 pm



### High School Graduate Sunday: May 1 during the Worship Service

We will be honoring high school graduates Abigail Daley, Emily Dieringer, Austin Garman, Justine Macaulay, Jacob Sidle and Jacob Yoder. May the Lord guide you according to His wonderful plan!



### Retired Men's Luncheon May 12, 11:30 am

We meet the second Thursday of the month at "Farmer Boy" Restaurant, 2448 Cleveland Road, in Wooster. If you are available at that time, and "wish" you were retired, we'd be glad to have you join us, as well. Questions, contact Fred Lendrum at 330-567-2651 or the church office for more information.



### SERVE Wednesday, May 18, 5:30 pm

A free meal for the church family and community. In addition to providing a meal, this event provides a time of fellowship for those who might enjoy a meal with others.



### Men's Prayer Breakfast May 21, 7:00 am

We extend the invitation to all men in the congregation. Join us for a time of fellowship, prayer and enjoy breakfast, as well. Contact the church office for more details.

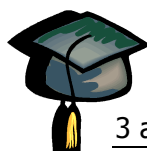


### May 26, 2:00 pm UMW Meeting

Program: Mother's Day Giving  
Devotions and Refreshments: Marilyn Acker

### Rummage Sale June 3 & 4

Please sort through your closet, cupboards, or basement for those items that you no longer need, but may be just what someone else is looking for. You may bring items to the Shreve United Methodist Activity Center starting Tuesday May 31 through Thursday June 2. The Rummage Sale is on Friday, June 3, 9-5 and Saturday June 4, 9-2. Helpers are needed Tuesday through Thursday to arrange the donations for the sale. Call Sharon Emler at 330-567-3088 if you need help transporting larger items. Prices will be by donation. All Proceeds from the sale support mission, such as our own Community Outreach.



If you have a college graduate in your family within the last year, please contact the church office by email: [shreveum430@centurylink.net](mailto:shreveum430@centurylink.net) or call 330-567-2051, with their name and degree. We will be recognizing them in July 3 and are trying to compile a list at this time.

# Church Family Notes



Congratulations to our 2016 High School Graduates, Abigail Daley, Emily Dieringer, Austin Garman, Justine Macaulay, Jacob Sidle and Jacob Yoder. May the Lord guide you according to His wonderful plan!

You are invited to the  
**End of Year Celebration for  
Titan Christian Education**

On Sunday, May 22nd  
At 6:30 pm at Shreve Christian Church.

This will be a time of praise, fellowship and sharing how the Lord has worked in developing this wonderful program.

Beth Acker & Carla Lendrum



Bryan and Sarah Wiles are missionaries supported by the Shreve UMC. They lead H2O Church on the campus of Bowling Green State University. So far this semester 19 college students have given their lives to Christ and around 100 students served on mission trips all over the world during Spring Break. Not only is Bryan serving Bowling Green, he is also assisting with planting churches at Wright State and the University of Akron where our own Paul Gordon is involved with the leadership in H2O Church.

Bryan and Sarah appreciate the prayers and financial support of Shreve UMC as they "continue to invest in church planting and reaching college students." Please keep them in your prayers as they reach out to the students at Bowling Green.

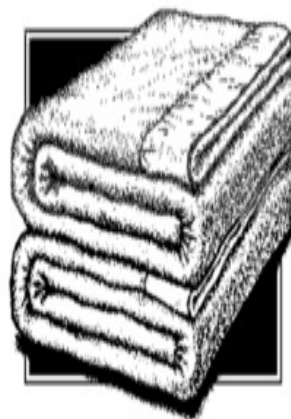
**Blanket the World  
with Love**

**"Blanket Sunday"**

**May 8, 2016**

May 8<sup>th</sup> is Mother's Day. As a way to honor or remember your mother, why not purchase a blanket which will be sent to help someone in need. In the past, "Blankets of Love" mission project has given blankets to homeless people, and victims of

hurricanes and tornadoes in the U.S. Blankets have been distributed around the world to victims of earthquakes, cyclones and floods and to refugees in Kosovo, Albania, Macedonia, Bosnia, Montenegro and Burma. Money is also used to finance a variety of self-help textile-oriented development projects.



Those honored and remembered will be listed in the bulletin on  
Mother's Day.

Enclosed is \$5.00 for each blanket bought in honor or in memory of the following mother(s):

IN HONOR OF: \_\_\_\_\_

IN MEMORY OF: \_\_\_\_\_

DONOR: \_\_\_\_\_

Clip and enclose this form with money in an envelope and place in the offering plate, by Sunday, May 1<sup>st</sup>.

# Spring Mulch Sale

It's that time of year, time to spread the mulch!

The Missions Committee is currently taking orders for bagged mulch to fund mission trips to Cuba and for local mission projects.

The mulch will be available at Joe & Lisa Gress' home or we are giving the option of local delivery and/or spreading the mulch for you for an additional donation.

Name: \_\_\_\_\_

Address: \_\_\_\_\_

Phone Number(s): \_\_\_\_\_

Email Address: \_\_\_\_\_

Mulch (2 Cu. Ft each) Each bag \$3.50

# of bags of Black \_\_\_\_\_ # of bags of Brown \_\_\_\_\_

Total Due \$ \_\_\_\_\_

If you would like to have your mulch delivered and/or spread, please note here.

\_\_\_\_\_

\_\_\_\_\_

Checks Payable to Shreve UMC. Please pay with order. Any questions, please contact Carla Lendrum (330) 317-3315 or Lisa Gress (330) 231-0284.

*Mulch is available on a first come, first served basis*



**Exciting Summer Camp Opportunities**  
**For Those Entering Grade 1-12**  
**Variety of Camp Themes**  
**4 Camping Locations**

**Have fun - Make new friends**  
**Learn to make decisions Learn responsibility**  
**Learn about God & grow in Him**

### Camp Financial Assistance Is Available:

- Camp prices vary, but the church will pay up to \$120 of your camp fee. You must fill out a form (pick up on narthex bulletin board) and place it in the church treasurer's mailbox so she is alerted to make the payment.
- In addition to the assistance from our church, the Canal District offers a maximum \$75 campership per camper, for United Methodist Church camps. These forms are also available on the narthex bulletin board. Camperships are available while budget funds last. Fill out and **mail the forms to the location listed on the form**.
- A limited amount of financial aid is available from the **East Ohio Conference** for those with extreme financial need. Camperships are available while budget funds last

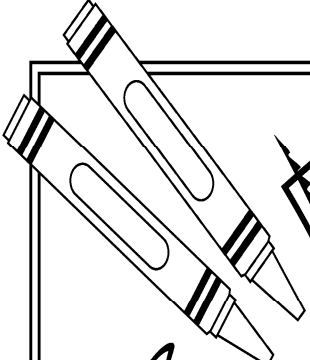
### YOU ARE ENCOURAGED TO REGISTER ON LINE.

at [www.eocsummercamps.org](http://www.eocsummercamps.org)

- When you register, make the minimum payment, which will allow for payment by the church and Canal District to be applied to your account. You will be billed for any remainder, later.
- If you prefer to mail in a registration form, camping guides and forms are available on the bulletin board in the narthex. If you have questions, contact Kaye Janes in the church office.

## **Early Bird is Back!**

**Register by April 30** and your camper will receive a **Limited Edition 2016 Summer Camp T-shirt** that is not available in the camp store. And, you will also **get \$20 off** their summer camp fee.



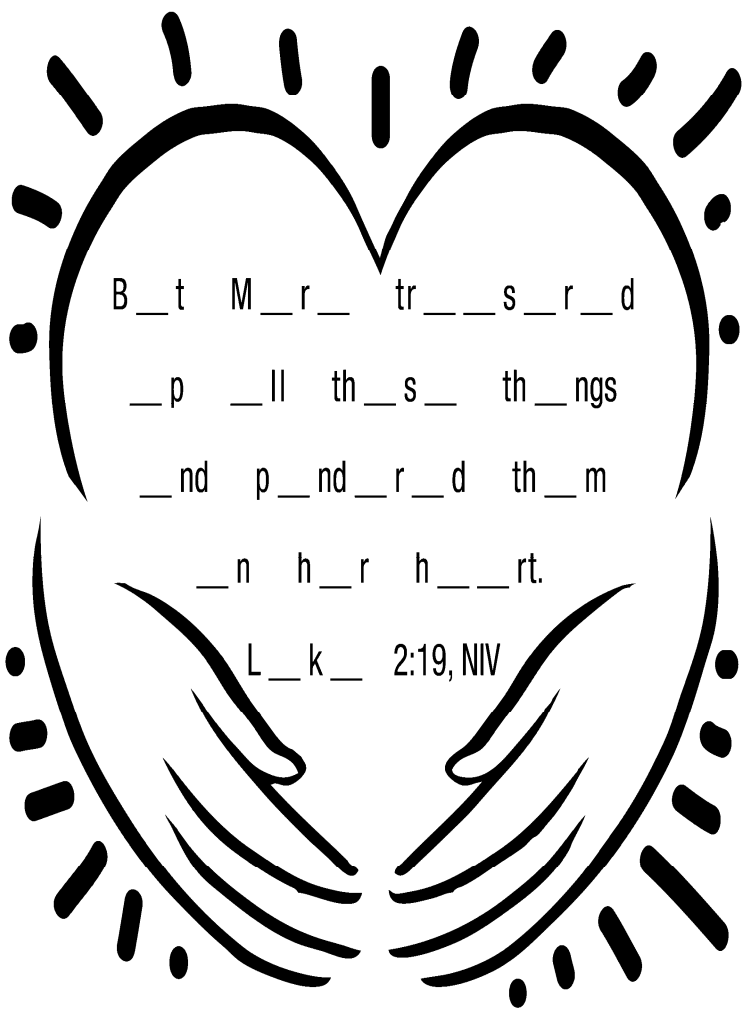
# PUZZLE

## A mother's love

At age 12, Jesus was left behind in Jerusalem. His parents later found him in the temple, discussing Scripture. What did Mary, Jesus' mother, think about this?

Directions: Fill in the blanks with the correct vowels to complete the Bible verse.

A E I O U Y



Answers: But Mary treasured up all these things and pondered them in her heart. Luke 2:19, NIV



## Words of appreciation

Show your love for your mother, grandmother or aunt this Mother's Day by placing words of appreciation throughout the house for her to find.

### What you need:

- Construction paper
- Scissors
- Colored pencils
- Crayons
- Tape

# THANKS!

### What you do:

1. Fold construction paper into fourths.
2. Cut paper along the folds to get four pieces.
3. On each rectangle, write words of appreciation, drawings and so on.
4. Tape the papers throughout the house. For example, a note on the refrigerator or pantry might say, "Thank you for making yummy meals for me." A note on a mirror might say, "You are beautiful inside and out!"



# May 2016

## Birthdays and Anniversaries

<i>Sun</i>	<i>Mon</i>	<i>Tue</i>	<i>Wed</i>	<i>Thu</i>	<i>Fri</i>	<i>Sat</i>
<b>1</b>	<b>2</b> Janet Roby	<b>3</b>	<b>4</b> Matt Garst Meg Wilcox	<b>5</b> Emily Boothby	<b>6</b>	<b>7</b>
<b>8</b> Audrey VanLieu	<b>9</b>	<b>10</b>	<b>11</b> Sandy Musselman	<b>12</b>	<b>13</b>	<b>14</b>
<b>15</b>	<b>16</b>	<b>17</b>  Brian & Amy Hall	<b>18</b> Shelley Bower	<b>19</b> Linda Cochran   Cathy & Tom Ewing	<b>20</b>   Dennis & Debbie Rinehart	<b>21</b> Marian Dewitt
<b>22</b> Oscar Visocky	<b>23</b> Brandon Grosjean Culver Sidle	<b>24</b> Bill Carlton	<b>25</b> Dale Stein	<b>26</b>	<b>27</b> Lucy Acker Barb Long   Brian & Kelly Dieringer	<b>28</b>
<b>29</b>	<b>30</b> Roscoe Burgan   Bill & Barb Beaverson	<b>31</b> Jeff McMillen				 Denotes Wedding Anniversary



## Deadline May 15, 2016 for the June 2016 Newsletter.

If you have an announcement or activity you would like included in the newsletter, place the information in Kaye Janes' mailbox which is the top left file tray, on the mail table outside the church office. The information can be handwritten, typed or may be emailed to shreveum430@centurylink.net in *Microsoft Word format*.

Sun	Mon	Tue	Wed	Thu	Fri	Sat
<b>1</b> High School Graduate Recognition <b>8:30 am</b> Chancel Choir <b>9:30 am</b> Sunday School <b>10:30 am</b> Worship <b>6:00 pm</b> Sr. High ComMISSION'd	<b>2</b> <b>12:00 pm</b> Helping Hands Potluck <b>6:30 pm</b> Mission Mtg. <b>7:30 pm</b> Boy Scouts	<b>3</b>	<b>4</b> <b>5:00 am</b> Early Morning Prayer <b>6:00 pm</b> Jr. High ComMISSION'd <b>6:30 pm</b> Bible Study	<b>5</b> <b>6:00 pm</b> Elementary ComMISSION'd	<b>6</b> SUMAC Reserved Bower	<b>7</b> SUMAC Reserved Bower  <b>6:30 pm</b> AA
<b>8</b> <b>8:30 am</b> Chancel Choir <b>9:30 am</b> Sunday School <b>10:30 am</b> Worship <b>6:00 pm</b> Sr. High ComMISSION'd	<b>9</b> <b>6:00 pm</b> Girl Scouts <b>7:00 pm</b> Trustee Mtg. <b>7:30 pm</b> Boy Scouts	<b>10</b> <b>7:00 pm</b> SPR Meeting	<b>11</b> <b>5:00 am</b> Early Morning Prayer <b>6:00 pm</b> Jr. High ComMISSION'd <b>6:30 pm</b> Bible Study	<b>12</b> <b>11:30 am</b> Retired Men's Luncheon <b>6:00 pm</b> Elementary ComMISSION'd <b>7:00 pm</b> Evangelism Mtg.	<b>13</b>	<b>14</b> NFH Reserved- Wells  <b>6:30 pm</b> AA
<b>15</b> <b>8:30 am</b> Chancel Choir <b>9:30 am</b> Sunday School <b>10:30 am</b> Worship <b>2:00 pm</b> Sanctuary Reserved <b>6:00 pm</b> Sr. High ComMISSION'd	<b>16</b> <b>7:00 pm</b> Boy Scouts @ SUMAC	<b>17</b> <b>7:00 pm</b> Finance Mtg. <b>7:30 pm</b> Church Council	<b>18</b> <b>5:00 am</b> Early Morning Prayer <b>5:30 pm</b> SERVE Meal <b>6:00 pm</b> Jr. High ComMISSION'd <b>6:30 pm</b> Bible Study	<b>19</b> <b>6:00 pm</b> Elementary ComMISSION'd	<b>20</b>	<b>21</b> <b>7:00 am</b> Men's Prayer Breakfast <b>6:30 pm</b> AA
<b>22</b> <b>8:30 am</b> Chancel Choir <b>9:30 am</b> Sunday School <b>10:30 am</b> Worship <b>6:00 pm</b> Sr. High ComMISSION'd <b>6:30 pm</b> TCE Celebration at Shreve Christian Church	<b>23</b> <b>6:00 pm</b> Girl Scouts <b>7:30 pm</b> Boy Scouts	<b>24</b> <b>5:00 pm</b> New Fellowship Hall Reserved <b>7:00 pm</b> Worship Mtg.	<b>25</b> <b>5:00 am</b> Early Morning Prayer <b>6:00 pm</b> Jr. High ComMISSION'd <b>6:30 pm</b> Bible Study	<b>26</b> <b>2:00 pm</b> UMW Mtg. <b>6:00 pm</b> Elementary ComMISSION'd	<b>27</b>	<b>28</b> SUMAC Reserved- Flinger  <b>6:30 pm</b> AA
<b>29</b> <b>8:30 am</b> Chancel Choir <b>9:30 am</b> Sunday School <b>10:30 am</b> Worship <b>6:00 pm</b> Sr. High ComMISSION'd	<b>30</b> SUMAC Reserved Rummage Sale	<b>31</b> SUMAC Reserved Rummage Sale				

**Published Monthly**  
**Shreve United Methodist Church**  
**PO Box 525**  
**470 N Main Street**  
**Shreve OH 44676**

**Issue No. 5-16**  
**RETURN SERVICE REQUESTED**



2016

## Those Serving Us In May

### Greeters

1 Jeremy & Renee Burnison  
8 Dick & Lynn Baker  
15 Chad & Sarah Zimmerly  
22 RJ & Marty Black  
29 Keith & Julie Patterson

### Acolytes

1 Alan VanLieu & Alexandra McMillen  
8 Emma McClintock & Allison Moody  
15 Culver Sidle & Wyatt Rohr  
22 Ella McMillen & Kaelee Garst  
29 Vaden Ervin & Adam Wolf

### Lay Leaders

1 John Weaver  
8 Todd Gordon  
15 Barb Long  
22 Carla Lendrum  
29 Laurel Sidle

### Ushers:

RJ Black, Karl Nestor, Keith Patterson,  
Adam Starr, Mike Stoner

### Nursery

1 Lisa Gress, Sara Wolf & Cheryl Gordon  
8 Gary Sidle & Lisa Haberbusch  
15 Tim & Nancy Schmid & Gina VanLieu  
22 Sean & Meghan Wright  
29 Jeremy & Renee Burnison

### Explorers

1 Meghan Wright  
8 Beth Acker  
15 Jen Zehnder  
22 Christi Franks  
29 Matt Diffenderfer

### Believers for the Month of May

Matt Diffenderfer

### Tech Support

1 Rosemarie Daley, Dennis Daley, Ashton Franks  
8 Jeremy Burnison, Laurie Sidle, Todd Gordon,  
15 Dennis Daley, Jeremy Burnison, Luke Daley  
22 Jacob Sidle, Abigail Daley, Seth Franks  
29 Carlos Visocky, Ashton Franks